

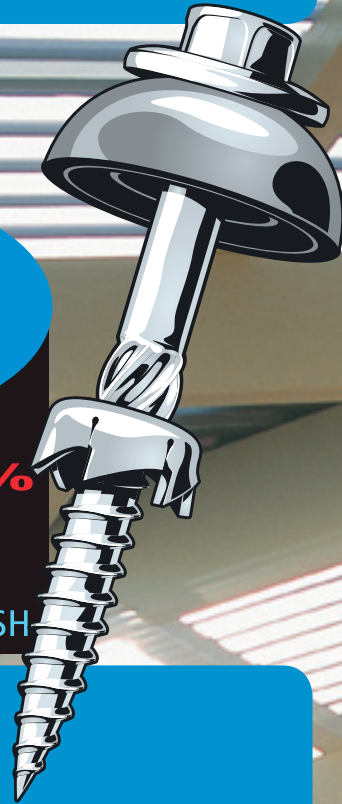
# ONE SHOT<sup>®</sup>

## Time Saver Fixing System

new **4**  
class  
coating

Improved  
Corrosion  
Resistance

**SAVE**  
**50%**  
install time  
PROFESSIONAL FINISH



- ✓ **One Step**
- ✓ **One Tool**
- ✓ **Easy Installation**
- ✓ **Professional Finish**



**LASERLITE<sup>®</sup>**

Bayer MaterialScience Pty Ltd  
ACN 086 237 765

17-19 Wangara Road, Cheltenham Victoria 3192  
Tel 1300 447 754, Fax (03) 9583 9003

Distributed by

**ALSYNITE<sup>®</sup>**

[www.alsynite.co.nz](http://www.alsynite.co.nz)

**ALSYNITE HEAD OFFICE:**

Freephone 0800 257 964  
Hamilton Tel: 07 850 5088

**DISTRIBUTION CENTRES:**

Palmerston North Tel: 06 356 5384  
Christchurch Tel: 03 348 3375  
Invercargill Tel: 03 214 6002

ONE SHOT<sup>®</sup> is a registered trademark of Powers Fasteners.  
Laserlite<sup>®</sup> is a registered trademark of Bayer, Germany.

The information contained in this brochure is to the best of our knowledge accurate, but all recommendations are made without any warranty whatsoever since the conditions of use are beyond our control. This brochure cancels and supersedes all previous publicised information. The company reserves the right to alter and revise without notice the information contained herein.

BMS/ALS/JUNE2011



**LASERLITE<sup>®</sup>**

# The Laserlite One Shot® Advantage

## Save 50% installation time\*

Laserlite One Shot® Fasteners drill through steel or timber battens in one easy action, no more pre drilling required.

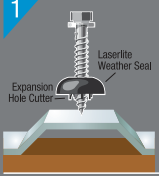
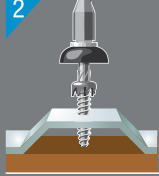
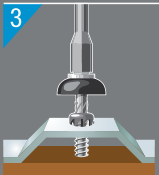
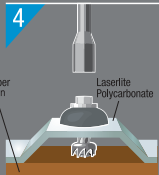
## Easy installation

- No more pre-drilling means faster and easier installation.
- No extra expense of specialist tools.
- No extra effort changing tools.

## Professional Finish

Laserlite One Shot® Fasteners cut an expansion hole in the sheet that ensures your Laserlite® is installed correctly, allowing for thermal expansion and contraction in all conditions.

### Installation instructions:

<p><b>1</b></p>  <p>Expansion Hole Cutter</p> <p>Laserlite Weather Seal</p>	<p>Firmly place the sharp point of the ONE SHOT® fixing onto the crest of the corrugation to eliminate "skidding" or "wandering".</p>
<p><b>2</b></p> 	<p>Commence drilling at 1000rpm to pierce the sheet. Screw engages in timber batten.</p>
<p><b>3</b></p> 	<p>Cutter engages polycarbonate sheet, cuts the expansion hole and centres the fixing.</p>
<p><b>4</b></p>  <p>Timber Purlin</p> <p>Laserlite Polycarbonate</p>	<p>Wait until the rubber weather seal engages and compresses against the roof sheet and under the fixing head to stop.</p>

## Installation of Laserlite® Polycarbonate Roofing with Laserlite One Shot® fixings

**NOTE:** For installation of roofs over 3m in height or for cyclonic regions, contact your nearest Alsynite office for special instructions. Refer to installation guidelines available at [www.alsynite.co.nz](http://www.alsynite.co.nz)

**CAUTION:** Always exercise extreme care when working on a roof. Use walking boards along purlins or battens. Never walk directly on the sheeting. Always wear safety glasses or goggles when operating cutting tools or drills.



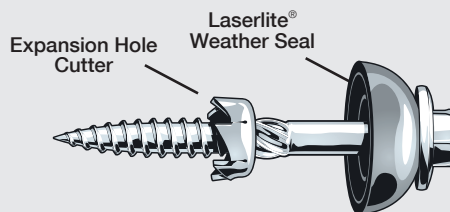
LASERLITE®



## Time Saver Fixing System

Available for both Timber and Steel Purlins

### TIMBER One Shot® Fixing

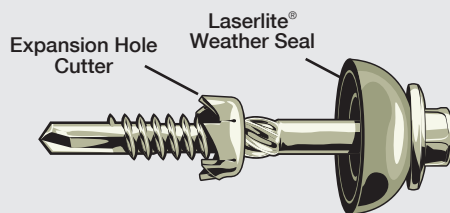


Length	Roma	Greca	Trimdek	Pack Sizes
50mm	•	•		50 PACK
50mm	•	•		250 TUB
50mm	•	•		1000 BOX
65mm			•	50 PACK
65mm			•	200 TUB
65mm			•	500 BOX

### Specifications

- Coated to AS 3566 Class 4
- 12 gauge
- 11 threads per inch
- Suitable for use with treated timber
- Type 17 (shape of tip)
- Suitable for use with 5/16" Drive
- Hex Head
- Cuts an 11mm nominal expansion hole
- Suitable for use at a drill speed of 1000rpm

### STEEL One Shot® Fixing



Length	Roma	Greca	Trimdek	Pack Sizes
60mm	•	•	•	50 PACK
60mm	•	•	•	200 TUB
60mm	•	•	•	500 BOX

### Specifications

- Coated to AS 3566 Class 4
- 12 gauge
- 14 threads per inch
- Suitable for use with battens - thickness 0.75mm to 4.5mm
- Suitable for use with 5/16" Drive
- Hex Head
- Cuts an 11mm nominal expansion hole
- Suitable for use at a drill speed of 2000rpm