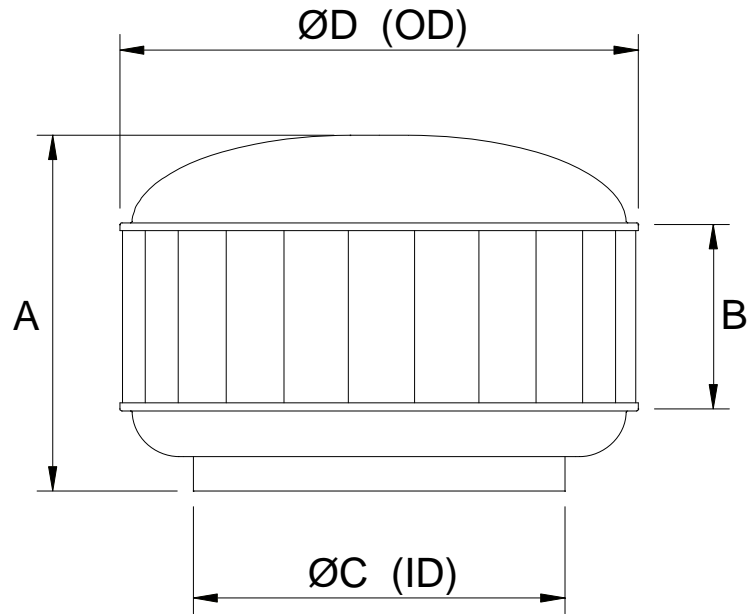


HURRICANE VENTILATOR

DATE: 29 January 1999

REVISED: 4 February 2005



DIMENSIONS:

MODEL	A (mm)	B (mm)	ØC (mm)	ØD (mm)	Throat Area (m ²)	Weight (kg)
H100	253	100	107	290	0.0090	1.3
H150	283	125	155	332	0.0189	1.9
H300	364	175	308	477	0.0745	3.7
H400	389	205	410	561	0.1320	4.5
H450	419	230	462	648	0.1676	6.2
H500	459	265	511	702	0.2051	6.9
H600	484	275	602	766	0.2846	8.1
H700	556	320	705	876	0.3904	11.6
H800	580	345	799	1003	0.5014	14.9
H900	643	400	897	1096	0.6319	18.1

Tolerances: Size +/- 2mm
Weight +/- 0.1kg

SPECIFICATIONS:

MATERIAL:

Turbine & throat: Aluminium 5005 H34
 Shaft: Aluminium 2011 T3
 Dome & skirt: Aluminium 1200 O
 Brackets: Aluminium 6060 T591
 Spider (H600-H900 only): Zinc passivate plated mild steel
 Shaft (H900 only): 303 Stainless Steel
 Main bearing holder assembly: Glass Reinforced Nylon 6
 Main bearing: Double row ball bearing - BWF30-119Z
 Spider bearing (H600-H900 only): Single row ball bearing – AS204
 WIND SPEED RATING: 205.2km/h (57m/s) – Performance level 1
 (As per AS 4740:2000 Natural ventilators-Classification and performance)

ROTATION BEARINGS:

WIND SPEED RATING: